

# INSTALLATION INSTRUCTIONS

## LINEAR LED VAPOR TIGHT

**5 YEAR LIMITED PRODUCT WARRANTY**

Visit [www.els-led.com](http://www.els-led.com) for warranty for details  
For support contact [support@els-led.com](mailto:support@els-led.com)

### MODELS

MODEL #	Input Voltage Max. Input Current	Size	Wattage Select	CCT Selectable
VT4-50CLS VT4-50CLS-EM	AC120-277V 0.51A/0.22A	4FT	50W	3500K/4000K/5000K
			40W	
			30W	
VT8-100CLS	AC120-277V 1.02A/0.44A	8FT	100W	3500K/4000K/5000K
			80W	
			60W	

#### WARNING: RISK OF ELECTRICAL SHOCK

- Turn off the electrical power at fuse or circuit breaker box before wiring fixture to power supply.
- Turn off the power when you perform any maintenance.
- Verify that supply voltage is correct by comparing it with the luminaire label information.
- Make all electrical and grounded connections in accordance with the National Electrical Code and any applicable local code requirements.
- MIN 90°C SUPPLY CONDUCTORS.
- All wiring connections should be capped with UL approved wire connectors.

#### CAUTION: RISK OF INJURY

- Wear gloves and safety glasses at all times when removing luminaire from carton, installing, servicing or performing maintenance.
- Allow lamp/fixture to cool prior to handling light source.
- Avoid direct eye exposure to the light source while it is on.
- Account for small parts and destroy packing material, as these may be hazardous to children.
- Ensure fixtures are properly secured to and installed using all appropriate hardware intended to support the weight of the luminaire.

#### CAUTION: RISK OF FIRE

- Keep combustible and other materials that can burn away from luminaire and lamp/lens.



#### READ AND FOLLOW ALL SAFETY INSTRUCTIONS!

#### SAVE INSTRUCTIONS AND DELIVER TO OWNER AFTER INSTALLATION

#### General Safety & Product Information

- To reduce the risk of death, personal injury or property damage from fire, electric shock, falling parts, cuts/abrasions, and other hazards read all warnings and instructions included with and on the fixture box and all fixture labels.
- Commercial installation, service and maintenance of luminaires should be performed by a qualified licensed electrician.
- DO NOT INSTALL DAMAGED PRODUCT
- Use fixture only in intended application
- Allow for proper ventilation and air movement around luminaire. Do not exceed maximum ambient operating temperature
- Recycling information on LED Products please visit [WWW.EPA.GOV](http://WWW.EPA.GOV)
- These instructions may not cover all variations in equipment, application, operation and maintenance. Should further information be required please contact [support@els-led.com](mailto:support@els-led.com)
- Fixture components are not serviceable. In the event of product failure please refer to product warranty guidelines at [www.els-led.com](http://www.els-led.com)



**ELEVATE**  
LIGHTING SOLUTIONS

📍 1000 Commerce Center Dr, Elkton MD 21921

📧 [Support@ELS-LED.com](mailto:Support@ELS-LED.com)

🌐 [els-led.com](http://els-led.com) ☎ (718).338.1851 Fax: (718).228.1851

✉ [orders@els-led.com](mailto:orders@els-led.com)

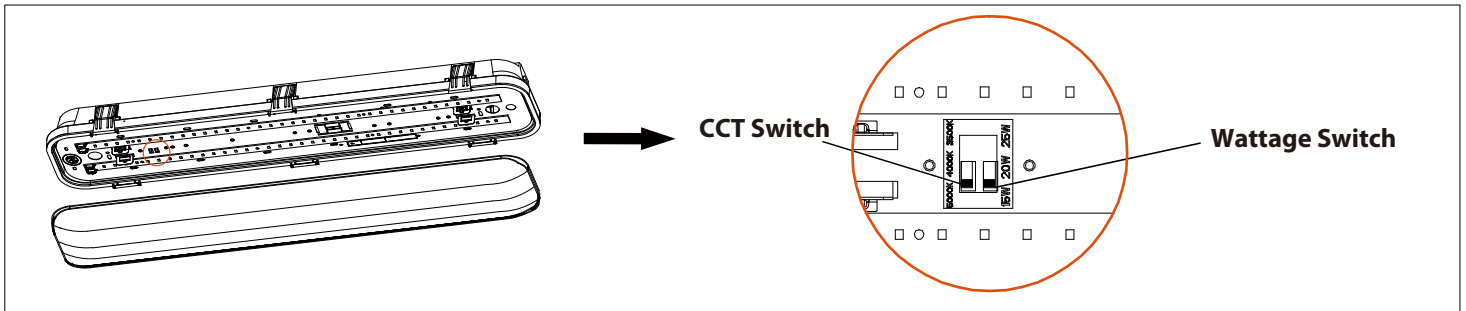
## INSTALLATION AND WIRING INSTRUCTION

Installation Methods: Surface/V-hook/J-box/Angle Mount (Please choose the most suitable installation method for the purchased product as per your needs). Secure the luminaire to a supporting structure.

### WIRING:

BLACK – HOT, WHITE - NEUTRAL 120V -277V , GREEN – GROUND  
PURPLE – DIM +; PINK – DIM – (0-10V) Dimming Optional connection

## CCT & Wattage selectable



### SURFACE MOUNT INSTALLATION

The fixture is suitable for outdoor applications in wet locations either ceiling or wall mounted.

1. Use appropriate mounting hardware (not supplied) to secure the Snap On Brackets to mounting surface. Fig. 1
2. Unlatch the Lens from Housing.
3. Snap out the LED & Heat Sink Assembly. Tether Cables are provided, if required.
4. Feed supply wires through one of the Conduit Plugs (5) to make electrical splices. Cord-grips (2) are provided and can be used based on application.
5. Use appropriate UL approved wire connectors as required by code to complete wiring with supply wires. Be careful not to pinch wires. Quick connector is provided for easy installation, if required.

**WARNING: To prevent wiring damage or abrasion, do not expose wiring to edges of sharp objects.**

6. Snap in LED and Heat Sink Assembly and secure Lens to Housing by Latch. Be careful not to pinch wires. Check that gasket is fully sealed.

7. Snap Housing on Snap On Brackets as shown in Fig. 2.

8. Use silicone or teflon tape on all conduit entry points.

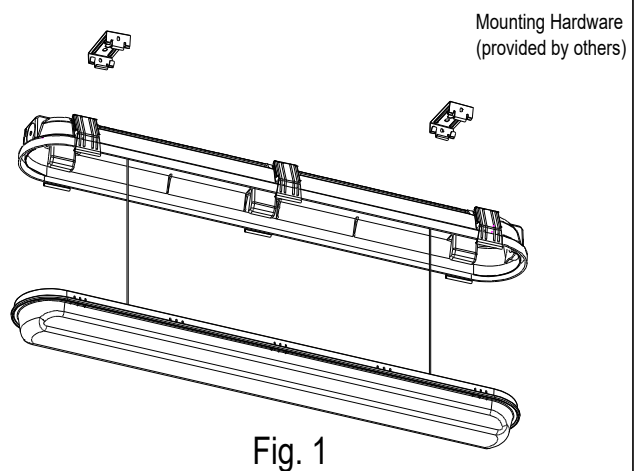


Fig. 1

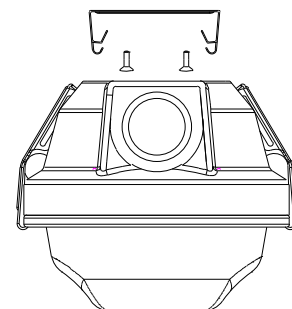


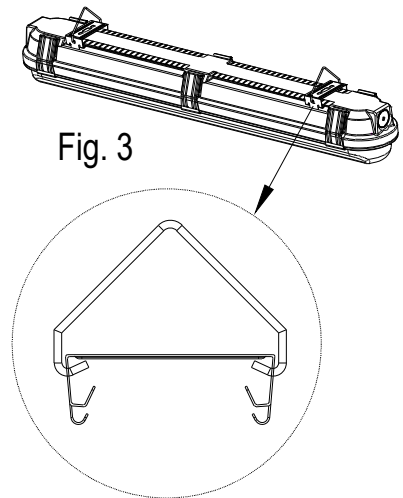
Fig. 2

**The Installation must be carried out by a qualified electrician.**

## V-HOOK MOUNTING

Suspend Housing to sturdy ceiling structure as follows:

- 1.Snap Housing on Snap On Brackets as shown in Fig. 2.
- 2.V Hooks are provided for chain mounting. Loop V-Hooks through Snap On Bracket at back of Housing as in Fig. 3.
- 3.Connect to two equal lengths of chain (by others) and/or appropriate hardware (by others) suitable for mounting surface, to suspend Housing from V Hooks.
- 4.Fixture mounting height and spacing should be determined by application requirements. Use chain suitable to support four (4) times the weight of the fixture.
- 5.Use silicone or teffon tape on all conduit entry points.



## 0-10V DIMMABLE WIRING

Universal voltage driver permits operation at 120V to 277V, 50 or 60 Hz. For 0-10V Dimming, follow the wiring directions in Fig. 4.

- 1.Connect the black fixture lead to the LINE supply lead.
- 2.Connect the white fixture lead to the COMMON supply lead.
- 3.Connect the GROUND wire from fixture to supply ground.
- 4.Connect the purple fixture lead to the (V+) DIM lead.
- 5.Connect the pink fixture lead to the (V-) DIM lead.
- 6.Cap the yellow fixture lead, if present. Do NOT connect.

NOTE: Do not connect DIM V+ (purple)/ DIM V- (pink) to line voltage or supply ground.

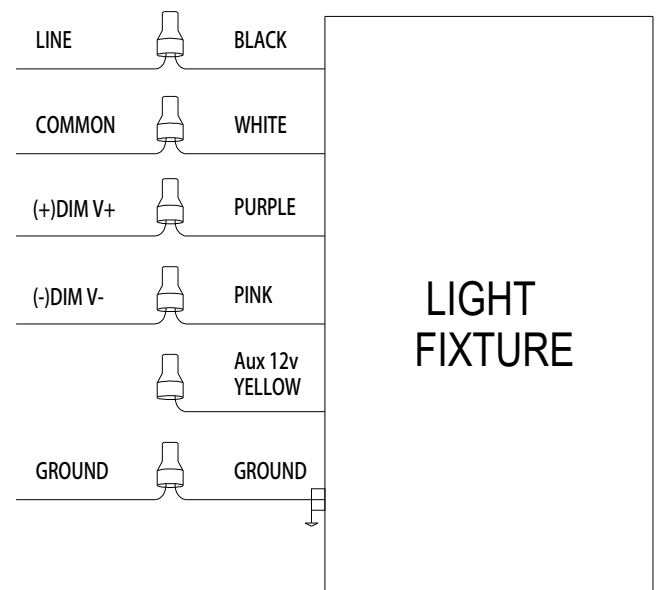
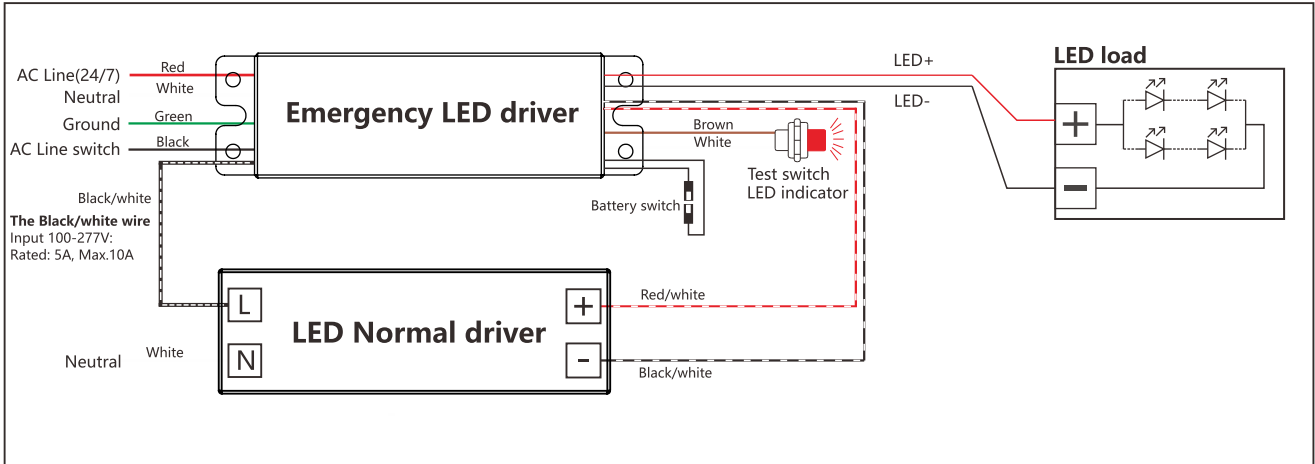
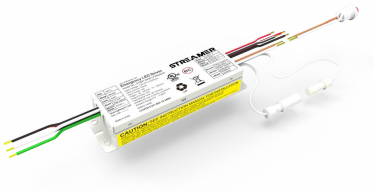


Fig. 4

# EMERGENCY DRIVER WIRING DIAGRAM FOR 4/8FT:



The Installation must be carried out by a qualified electrician.